

# PUSH BUTTON SWITCHES(Momentary)



Series - 27

## DESCRIPTION

**Integral Series 27 Push Button Switches** is a unique design wherein the operative portion is separate from the Switch Element. The Basic Switch Series 49 is used as SWITCH ELEMENT.

The all metal Push Button is built for rugged operation in Machine tools and can be offered with Plunger of standard colours like White, Red, Yellow, Green, etc.,

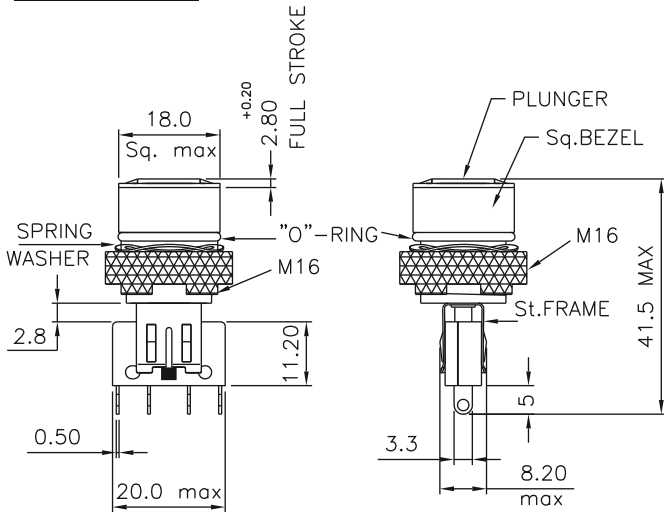
The Push Button can be fixed on the panel (dia 16 hole) and the Switch Element is 'clicked' on to the same behind the Panel, this offers the advantage of replacing only the Switch Element at the customer end in the field, thereby saving cost.

The Switching Element is Integral Series 49 Micro Reset Switch which is a snap acting momentary switch suitable for low level and power level switching. High switching reliability is built into the design of the switch. By using a double make double-break design, the current rating is increased and the switch can also be used for DC switching. Low contact resistance and protection against surge currents, due to INDUCTIVE and CAPACITANCE loading, is ensured by the design.

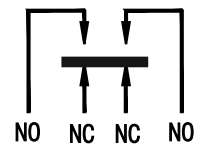
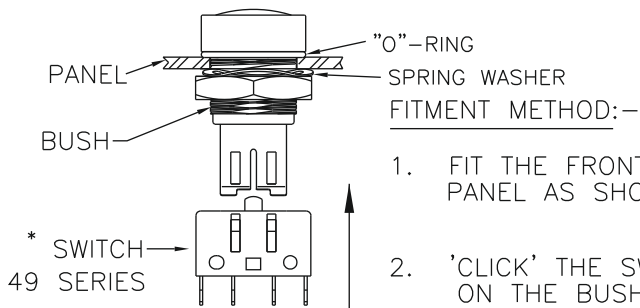
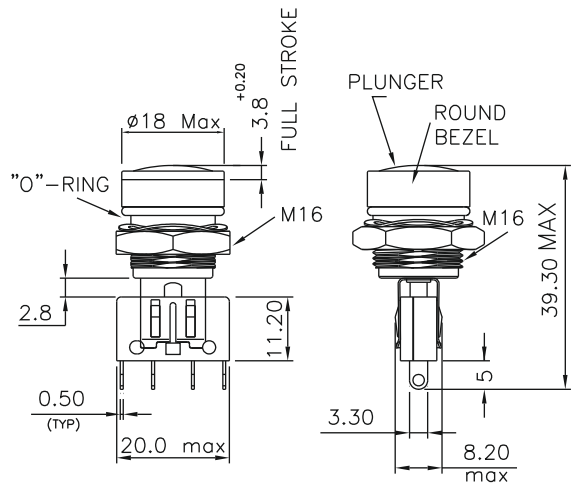


## DIMENSIONAL DETAILS

### SQUARE TYPE



### ROUND TYPE



SCHMATIC

★ For Switch Selection & Bracket Selection Ref. Back Sheet

ALL DIMENSIONS IN mm

## ELECTRICAL SPECIFICATIONS

CONTACT CONFIGURATION:	(Double throw two circuit)
CONTACT RATING	: With 200±50gms operating force 5 Amps (Resistive load) at 28 V DC / 230 V AC
CONTACT RESISTANCE	: 100 milli ohms initial
ELECTRICAL LIFE	: 20,000 operations at rated load. With lower contact-loads life will be correspondingly higher
MECHANICAL LIFE	: 100,000 operations
INSULATION RESISTANCE	: 100 Megohms min.
DIELECTRIC STRENGTH	: 1000 V RMS
PRETRAVEL	: 1.27 mm (max)
OVERTRAVEL	: 0.25 mm (min)

## MATERIALS & FINISHES

BODY & COVER	: Glass filled PBT (UL approved)
PLUNGER	: Acetal
BEZEL & PLUNGER	: Aluminium/ABS moulded
NUT	: G/F 30% Nylon
FRAME	: Stainless Steel
TERMINALS	: Brass, Silver plated
Contact	: Refer Contact Selection.

NOTE : Standard/Low level combination could be used in low level or power circuits. However if low level rating is exceeded, gold plating is likely to be removed from contact interface and the switch is no longer recommended for low level currents.

## ORDERING INFORMATION

The switch can be ordered as given below

### BRACKET SELECTION



#### BEZEL COLOUR

- 1 Black
- 2 Silver
- 3 Any other (Specify)

#### SHAPE OF BEZEL

- 1 Round  $\varnothing$ 18
- 2 Square 18

#### COLOUR OF PLUNGER

- 1 Black
- 2 Red
- 3 Yellow Lemon
- 4 White
- 5 Blue
- 6 L.Grey
- 7 Green

### SWITCH SELECTION

#### ORDERING CODE



#### CONTACT SELECTION

- 0 Cu-(Ag.Plt)
- 1 Cu-(Au.Plt)
- 2 Ag-(Ag.Plt)
- 3 Ag-(Au.Plt)

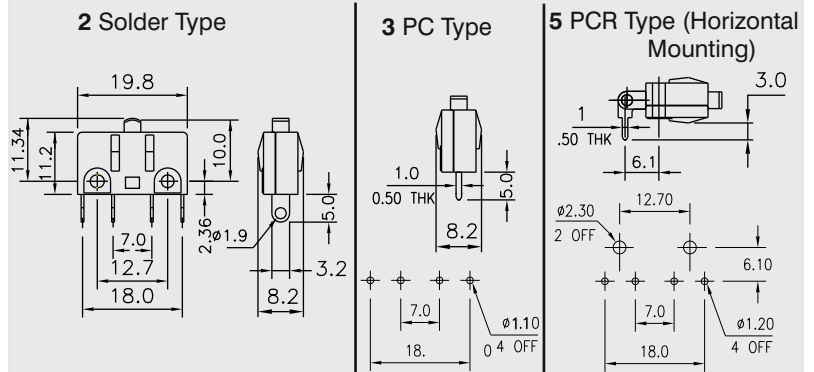
#### TERMINALS (Br.Ag.pltd.)

- 2 Solder Type
- 3 PC Type (Straight)
- 5 PCR Type (Horizontal Mounting)

### CONTACT SELECTION

Order Code	
0	<b>STANDARD CONTACTS</b> : 1.5A @ 230 VAC Resistive Load Copper alloy with Silver Plating
1	<b>LOW LEVEL CONTACTS</b> : 0.4 VA maximum at (DRY CIRCUITS) 20 volts AC or DC maximum CONTACTS : Copper alloy with gold plating over nickel barrier
2	<b>HIGH POWER CONTACTS</b> : 5A @ 230 V AC and 28 V DC resistive load CONTACTS : Coin silver
3	<b>HIGH POWER/LOW LEVEL COMBINATION CONTACTS</b> : Coin silver with gold plating over nickel barrier

### TERMINALS DETAILS



**INTEGRAL SYSTEMS AND COMPONENTS PRIVATE LIMITED**

D-388/1, 1st Block, 1st Stage, Peenya Industrial Estate, Bangalore - 560 058, India

**Telefax:** (080) 2839 1707 / 2839 1708 / 2839 1709 / 2839 1710

An ISO 9001:2008 Company **Website:** www.integralsys.in **E-mail:** inty.systems@gmail.com / sales@integralsys.in