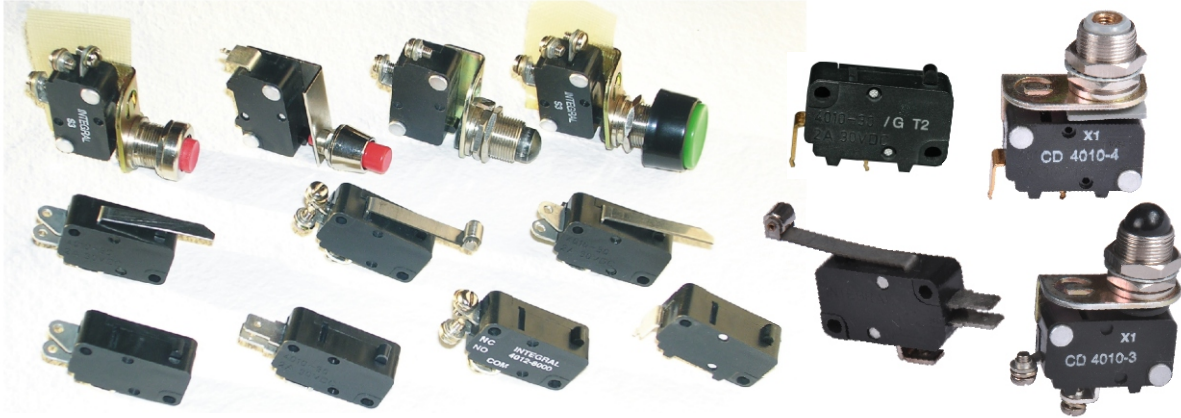


Series - 40

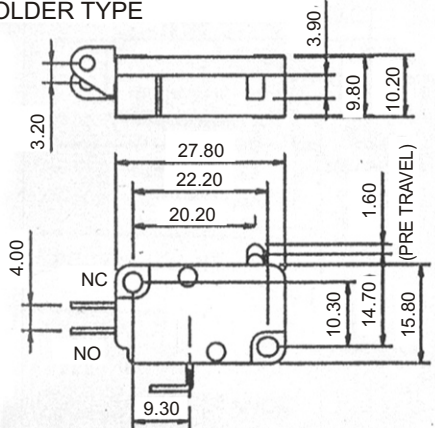
DESCRIPTION

Integral Series 40 Micro Switch is a heavy duty switch with an extra long life spring mechanism. (Has successfully been tested up to 14 million cycles) High reliability is designed into the switch which can be used in a wide variety of application such as Industrial Equipments, Business Machines, Home Appliances etc.

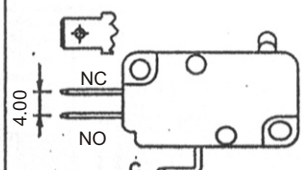


DIMENSIONAL DETAILS

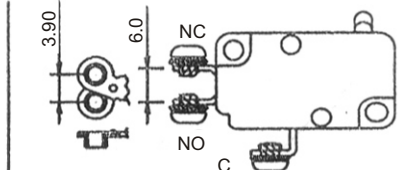
**TERMINAL ARRANGEMENTS:
SOLDER TYPE**



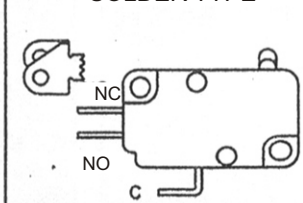
QUICK CONTACT



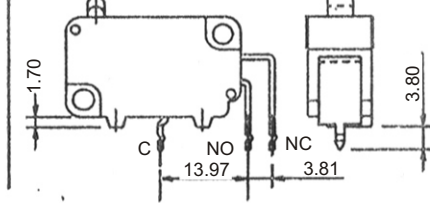
M3 SCREW TYPE



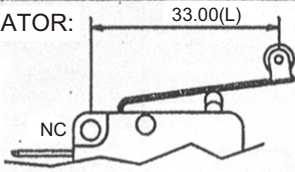
SOLDER TYPE



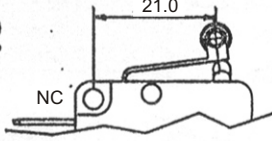
PC TYPE



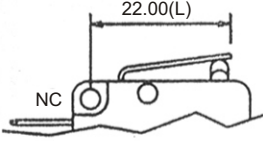
ACTUATOR:



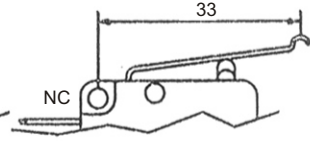
ROLLER LEVER TYPE



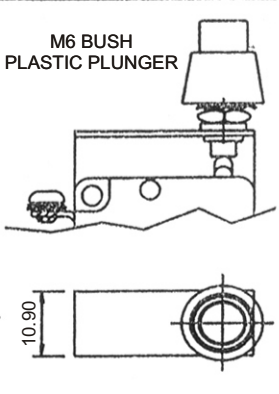
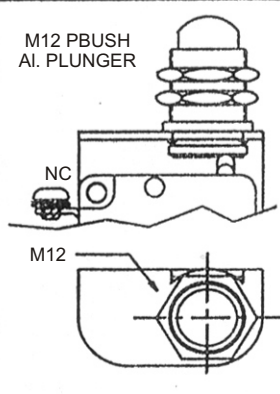
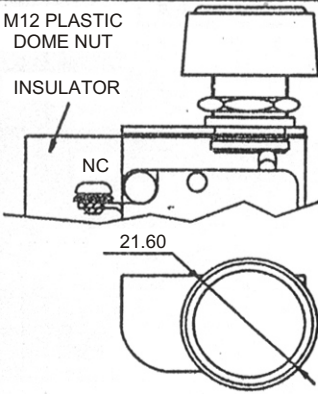
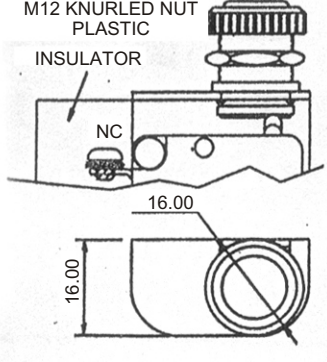
HINGE LEVER TYPE



SIMULATED ROLLER LEVER TYPE



MOUNTING:



All Dimensions in mm.

SPECIFICATIONS

CONTACT RATING :

	OPERATING FORCE AT PIN PLUNGER	RATING (Resistive Load)
Silver Alloy	300 gmf	5A 250VAC, 0.5A 125VDC
Gold Plated Low Level	200 gmf	24VDC 1mA

If not specified, Standard Operating Force will be 300 gmf.

CONTACT RESISTANCE : < 50 m nitial
 INSULATION RESISTANCE : 100 M (at 500 VDC)
 DIELECTRIC STRENGTH : > 1000 VAC (1 min)
 OPERATING TEMP : -25°C to +80°C

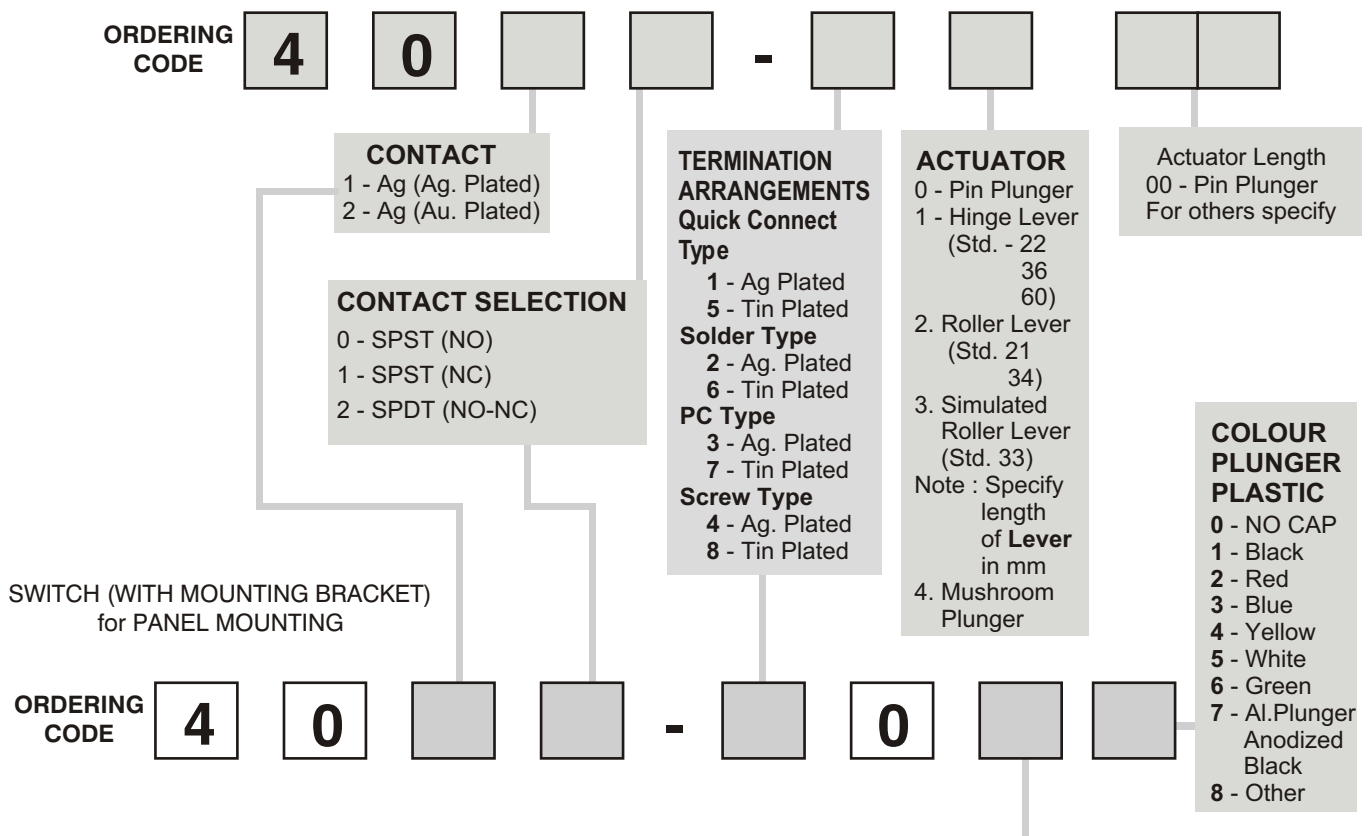
HOW TO ORDER:

1. For standard switches by describing as given below
2. For Special switches please consult factory with Samples/Drawings

MATERIALS & FINISHES

BODY & COVER : PBT 30GF (UL APPROVED)
 PLUNGER : Acetal / PA
 CONTACTS : Silver Alloy
 TERMINALS : Brass (Silver or Tin plated)
 ROCKER : Brass Silver plated
 SPRING : Beryllium Copper
 (If not specified, the COMMON Terminal will be Silver Plated and the NO & NC Terminals will be Tin Plated)

SWITCH (WITHOUT MOUNTING BRACKET)



MOUNTING

- | | | |
|----------------------------------|--|------------------------------------|
| 0 - W/O Bracket | 3 - Same as 2 with Dome Nut | 6 - Same as 2 with Metal Dome Nut |
| 1 - With Bracket M12 x 0.75 bush | 4 - Same as 1 with Plastic Dome Nut | 7 - Same as 5 with Metal Round Nut |
| 2 - With Bracket M6 x 0.75 bush | 5 - Same as 1 with Plastic Knurled Nut | |