

# ROTARY SWITCHES



## Series 37

### DESCRIPTION

**Integral Series 37** Rotary Switches are manufactured using an innovative approach to achieving quality through Design. The Rotary Motion is used through cams, to operate Micro Switches of high reliability and long life.

These switches have specially been designed for the Machine Tool Industry Control Panels, wherein the switch has to operate in hostile environment.

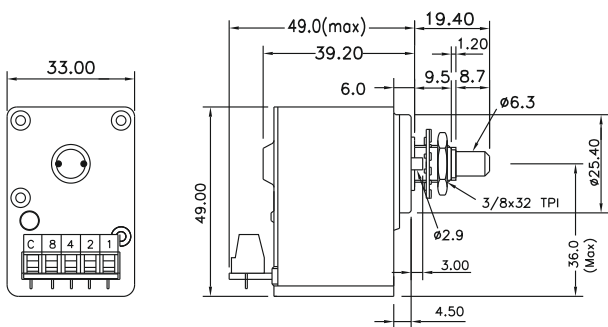
### FEATURES

- Assembled to customer requirements.
- Wide range of output codes.
- Enclosed switches to prevent ingress of oil fumes, dust, moisture etc.
- Servicing/change easier with wires connected by screws,.

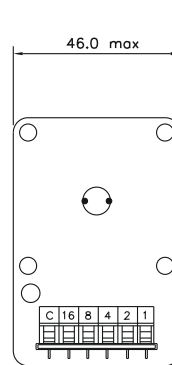
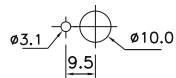
### 12 Position Switch



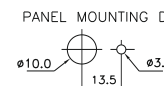
### 24 Position Switch



PANEL MOUNTING DETAILS 12 Position Switch



PANEL MOUNTING DETAILS 24 Position Switch



- Note :** Standard Pattern available
- 1) 15 - Grey Code & BCD out put Complementary (Max. 24 position)
  - 2) 24 position will be without stop/with stopper .
  - 3) 30 / 60 - BCD output (30 - 12 position max.) (60 - 6 position max.)

### HOW TO ORDER

1. For standard switch by describing as given below
2. For Special configuration, contact Factory.

### SPECIFICATIONS:

- CONTACT RATING:** 2 Amps (Resistive Load) at 250 V AC
- CONTACT RESISTANCE:** 50 milli ohms maximum
- ELECTRICAL LIFE:** 500,000 at 20 CPM at 28V 10 mA
- INSULATION RESISTANCE:** Mimimum 100Meg ohms at 500 V DC
- DIELECTRIC STRENGTH:** 1000 VRMS

### ORDERING INFORMATION:

ORDERING CODE	No. of Position	Angle of Throw	Output	Terminations
<b>3 7</b>	<input type="checkbox"/> <input type="checkbox"/>	<input type="checkbox"/> <input type="checkbox"/>	<input type="checkbox"/>	<input type="checkbox"/>
	02 to 24	15° - 15 30° - 30 60° - 60	BCD - B GREY - G COMP - BC	PCB - 0 SCREW - 1

All Dimensions in mm.



**INTEGRAL SYSTEMS AND COMPONENTS PRIVATE LIMITED**

D-388/1, 1st Block, 1st Stage, Peenya Industrial Estate, Bangalore - 560 058, India

**Telefax:** (080) 2839 1707 / 2839 1708 / 2839 1709 / 2839 1710

An ISO 9001:2008 Company **Website:** www.integralsys.in **E-mail:** inty.systems@gmail.com / sales@integralsys.in

# KNOB FOR ROTARY SWITCHES



## Series 90

### DESCRIPTION

Integral Collet Knobs can be used for all types of Rotary Switches. They are sturdily built and are able to withstand repeated use. They are designed to meet the requirement of different shaft Dia.



Operation of knob, it is effective to rotate the pointer to give an indication of switch position.

### KEY FEATURES OF KNOB :-

- \* Simple construction with reliable operation.
- \* Simplicity of use.
- \* Styling

Knob is designed to have easy fit of accessories giving more versatility.

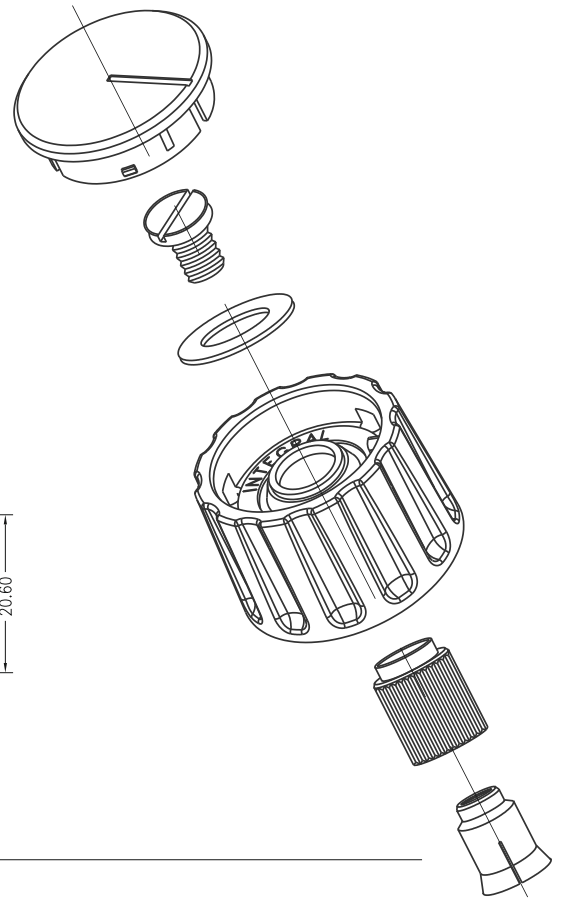
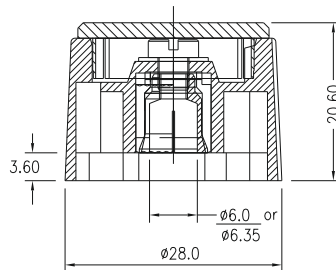
### KNOB STYLE :- Standard

#### MATERIALS & FINISHES

MOULDINGS : Engineering Plastic (matt finish)

METAL : Brass, Nickel Plated.

#### DIMENSIONS OF KNOB



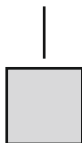
#### ORDERING CODE:-

#### COLOUR

- 0 - Light Grey
- 1 - Dark Grey
- 2 - Black

#### COLLET DIA

- 0 - 6.35 mm dia.
- 1 - 6.0 mm dia.



All Dimensions in mm.



## INTEGRAL SYSTEMS AND COMPONENTS PRIVATE LIMITED

D-388/1, 1st Block, 1st Stage, Peenya Industrial Estate, Bangalore - 560 058, India

Telefax: (080) 2839 1707 / 2839 1708 / 2839 1709 / 2839 1710

An ISO 9001:2008 Company Website: www.integralsys.in E-mail: inty.systems@gmail.com / sales@integralsys.in