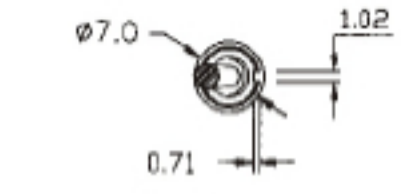
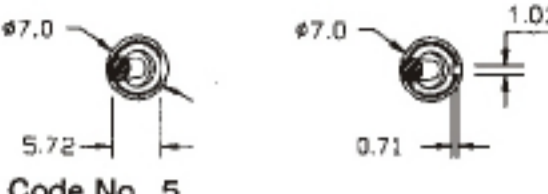
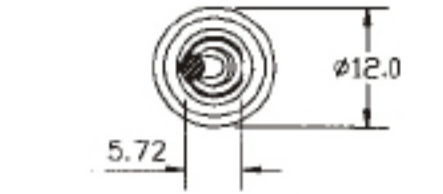

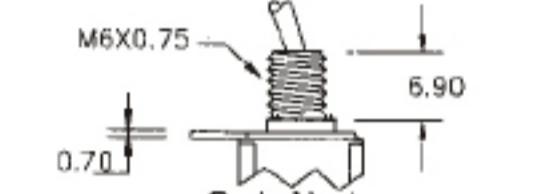
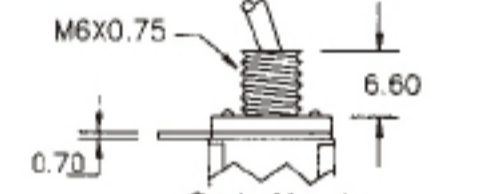


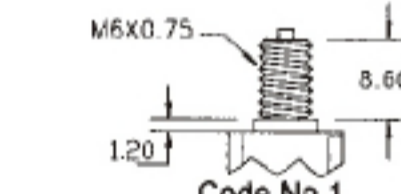
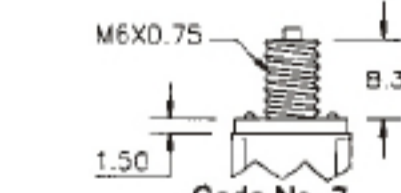
**BUSH DETAILS FOR PC STRAIGHT AND SOLDER TYPES**

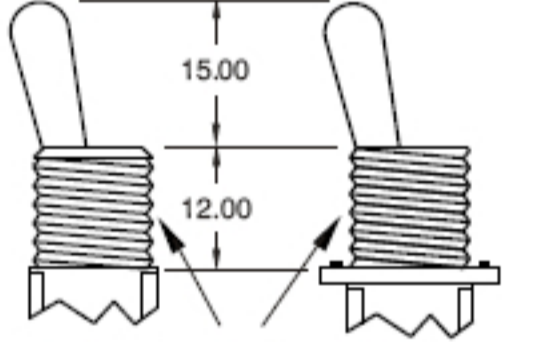
 <p>Code No. 0</p>	 <p>Code No. 1</p>	 <p>Code No. 4</p>
<p><b>Order Code</b>      <b>Description</b></p> <p>0    Short threaded bush</p> <p>3    Same as 0 without threading</p>	<p><b>Order Code</b>      <b>Description</b></p> <p>1    Standard threaded bush</p> <p>2    Same as 1 without threading</p> <p>5    Same as 1 with milled flat</p>	<p><b>Order Code</b>      <b>Description</b></p> <p>4    Threaded bush with panel seal and toggle splash proof seal.</p>

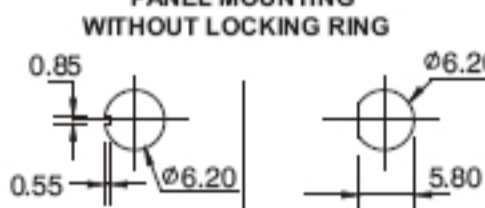
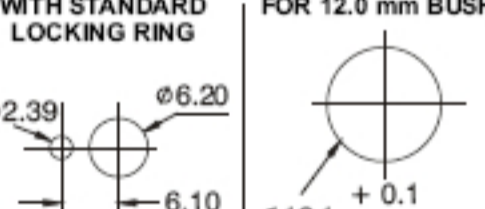

**BUSH DETAILS FOR PCR / PCR V TYPES**

 <p>Code No. 0</p>	 <p>Code No. 1</p>	 <p>Code No. 4</p>
<p><b>Order Code</b>      <b>Description</b></p> <p>0    Short threaded bush</p> <p>3    Same as 0 without threading</p>	<p><b>Order Code</b>      <b>Description</b></p> <p>1    Standard threaded bush</p> <p>2    Same as 1 without threading</p> <p>5    Same as 1 with milled flat</p>	<p><b>Order Code</b>      <b>Description</b></p> <p>4    Threaded bush with panel seal toggle and splash proof seal. (Available on request)</p>

**BUSH DETAILS (FOR LOCKING TYPE)**

 <p>Code No. 1</p>	 <p>Code No. 7</p>
<p><b>Order Code</b>      <b>Description</b></p> <p>1    Threaded bush</p> <p>2    Same as 1 without threading</p> <p>7    Threaded bush with panel seal and toggle splash proof seal.</p>	

 <p>M12X0.75 THREADED</p> <p><b>Order Code</b></p> <p>6    Threaded bush with panel seal &amp; splash proof</p> <p>8    Unthreaded bush</p> <p>9    Threaded bush</p>
---

<p><b>PANEL MOUNTING WITHOUT LOCKING RING</b></p>  <p><b>WITH STANDARD LOCKING RING</b></p>  <p><b>FOR 12.0 mm BUSH</b></p> 
---

**NOTE :** Above shown various types of bushes with M6 x 0.75 threading are readily available. For any other special type bush please contact factory.

BUSHING FINISH will be nickel plated (Standard)



All Dimensions in mm.