

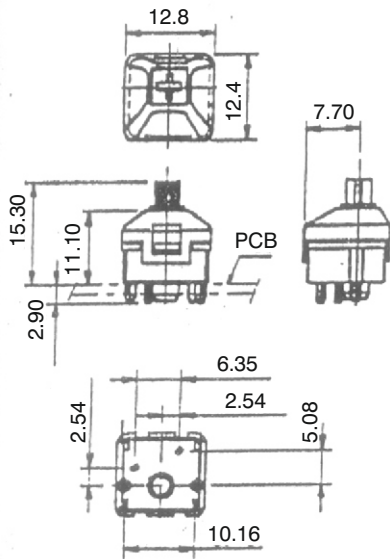
KEY BOARD SWITCHES



Series 13

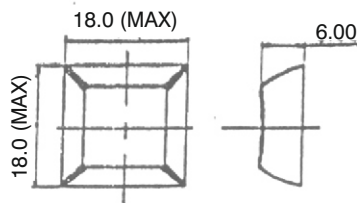
DESCRIPTION

Integral Key Switch Series 13, satisfies the user requirement for a low profile, high quality switch with a smooth tactile feel. The design of the contacts using special copper alloy, ensure a very high force per unit area and reduced susceptibility to contact closure interference from foreign particles.



DIMENSIONAL DETAILS

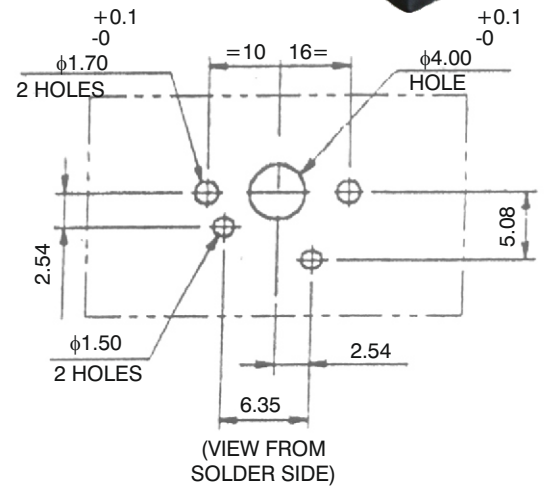
KEY TOP



KEY TOP COLOURS

1. WHITE
2. BLACK
3. RED
4. GREY

Available only in 18 mm



PCB DRILLING DETAILS

All Dimensions in mm.

SPECIFICATIONS :

CONTACT RATING	: 0.1 AMP @ 30 Volts AC/DC
CONTACT RESISTANCE	: <30 milli ohms initial at 2-6 V DC
INSULATION RESISTANCE	: >100 M ohms
INSULATION DIELECTRIC	: 250 V AC (applied for 1 minute)
BOUNCE TIME	: 5 ms or less.
ACTUATING FORCE	: 70 grms.
OPERATING TEMP. RANGE	: -25°C to +85°C
TOTAL TRAVEL	: 4.00
PRETRAVEL	: 2.00 ± 0.60
LIFE	: 20 million cycles @ 12V DC / 1 mA.

MATERIALS & FINISHES

COVER / BASE	: Glass filled PBT (UL approved)
PLUNGER	: Acetal (Delrin)
KEY TOP	: ABS
STATOR & MOVING CONTACTS	: Copper Alloy Hard Silver Plated
SPRING	: Stainless Steel Wire
MOUNTING	: On PCB only

10/2011 ISSUE 03, DCR 1182



INTEGRAL SYSTEMS AND COMPONENTS PRIVATE LIMITED

D-388/1, 1st Block, 1st Stage, Peenya Industrial Estate, Bangalore - 560 058, India

Telefax: (080) 2839 1707 / 2839 1708 / 2839 1709 / 2839 1710

An ISO 9001:2008 Company Website: www.integralsys.in E-mail: inty.systems@gmail.com / sales@integralsys.in